

Thank you for purchasing a LEDIONOPTO Night Light. Designed for use in hallways, bedrooms, and stairways as a safety light, this smart night light automatically illuminates upon detecting motion in the dark. Featuring a mains-powered cradle, the light will wirelessly recharge when docked, ready for use as a bright torch when lifted. Please read this user manual thoroughly to familiarize yourself with product operation and maintenance, ensuring many years of reliable use.

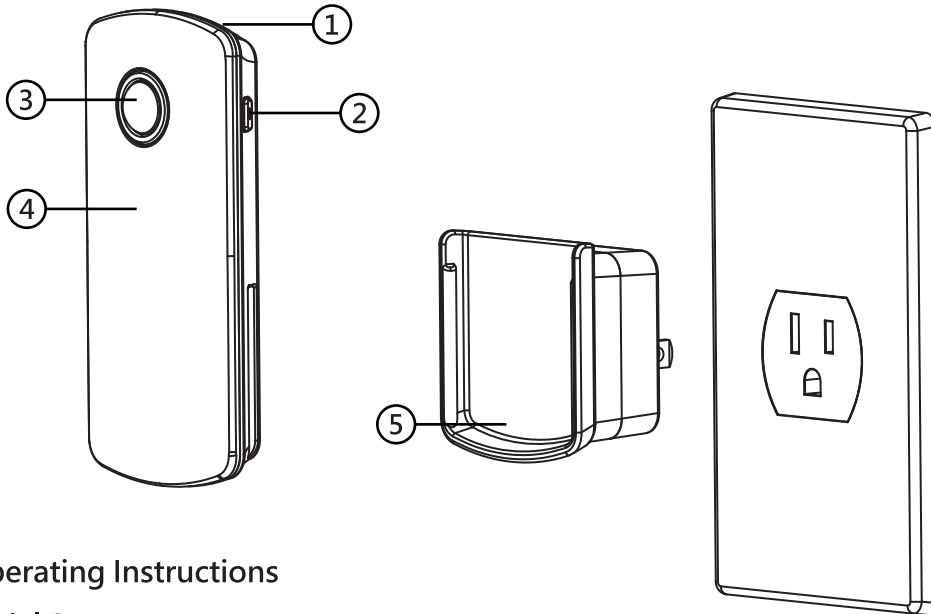


Figure 1

- 1) Torch
- 2) ON/OFF Switch
- 3) Movement Sensor
- 4) Night Light
- 5) Charging Dock

Operating Instructions

Initial Setup

- Before first use, fully charge the unit for 24 hours.
 - Ensure the night light is switched OFF during the initial charge.
1. Plug the charging dock into a mains outlet (AC120V~60Hz).
 2. Gently slide the main unit into the charging dock.
 3. The unit will wirelessly charge when docked and automatically stop charging when the battery is full.

Use When Docked

- Press the ON/OFF button briefly to switch the night light between:
 - **Automatic mode:**
In dark environments, the motion sensor detects movement within a 3–4 meter range, activating the side light for 20 seconds.
 - **Constant illumination:**
Light will stay ON at a low level and brighten when movement is detected, then return to low illumination after 20 seconds to save energy.
- In the event of a power outage, the main light will automatically activate for emergency lighting.

Handheld Torch Mode

- Lift the main unit from the charging dock to activate the torch function automatically.
- Press the ON/OFF button repeatedly to cycle between:
Torch mode, Night light mode, Flashing torch and OFF.

Warning: Avoid looking directly into the light source to prevent eye damage.

Safety Precautions

1. For indoor use only. Keep away from moisture and humidity.
2. Connect only to a mains voltage of AC120V/60Hz.
3. Do not cover the product during operation or expose to direct sunlight or heat sources.
4. Keep the unit dry. Do not submerge or touch with wet hands.
5. Regularly check the product for any signs of damage.
6. Do not use if the unit or charging dock appears damaged.
7. The unit contains a rechargeable lithium battery. Do not overheat, short-circuit, or disassemble.
8. Do not dispose of in fire or expose to extreme heat.
9. No user-serviceable parts inside. Do not disassemble.
10. Keep out of reach of children and pets.

Cleaning and Maintenance

- Disconnect from mains before cleaning.
- Wipe with a soft, dry cloth.
- Do not use abrasive cleaners or immerse in water.

Disposal and Recycling

- This product contains a rechargeable lithium battery.
- Dispose of in accordance with local regulations.
- Do not dispose of with household waste.

Warranty

Your LEDIONOPTO Night Light is covered by a one-year limited warranty from the date of purchase. Proof of purchase must be retained. If the product develops a fault within the warranty period, please contact our support team for assistance. Unauthorized repairs or misuse will void the warranty. This warranty does not affect any other rights you may have under applicable U.S. law, which may vary from state to state.

Support Email: support@edison-opto.com

Technical Data

Model	LD26-US001	Main Light	50LM / 6000K (Cool White)
Input	AC120V~60Hz	Side Light	20LM / 3000K (Warm White)
Battery	3.7V Lithium Battery, 220mAh	Charging Time	12–18 hours
Motion Range	3–4 meters	Discharge Time	Main Light 2.5h / Side Light 3.5h