



Cylinder Series Pendant Light

Lifetime
least
6 years



* Calculated as 8 hours per day, 7 days per week. Based on indoor application.

- **Commerical lighting**
- **Easy installation**
- **80% energy saving, compared to traditional light sources**
- **Available in various colors to match your interiors**

Technical Specifications

Parameter	Rating	Units
Power Consumption	12	Wattage
Color Temperature	3000 /4000 /5700	K
VLED LED	DC 38V,350mA	V
CRI	80	--
Weight	18°	1100
	25°	1040
	45°	1000
Operating Temperature	-20 ~ +40	°C
Storage Temperature	-40 ~ +60	°C
Equilibrium Temperature	60	°C
Base	No Base	--
Lamp Power Factor	By Used Driver	
Quick light / Instant light	<1s Instant full light	
Dimmable	Option by driver	
Switching cycles	>100,000 times	

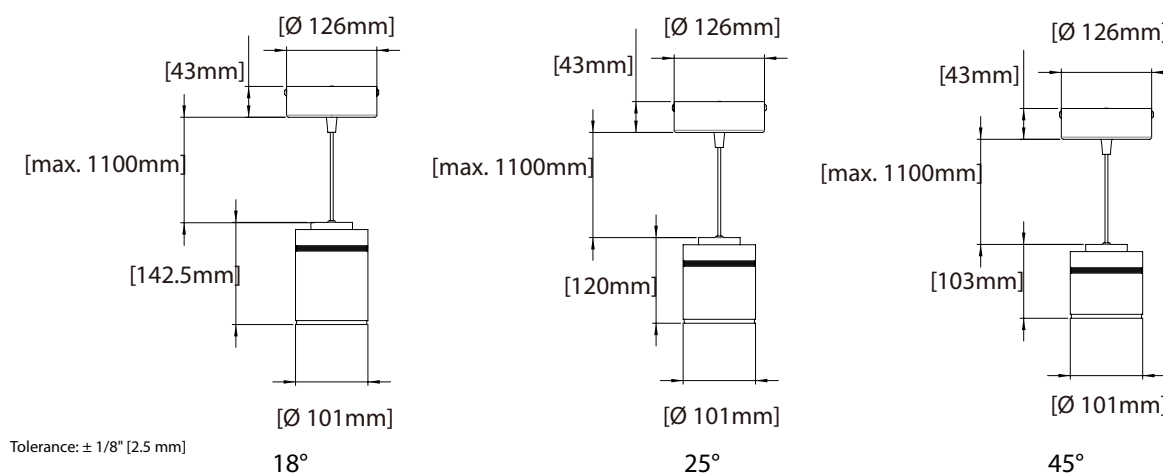
*This product is assembled with an LED of 3 SDCM for 3000K, 4000K and 5700K.

*LED is a dynamic and constantly evolving technology. The final lumen output of your 12W HE Cylinder Series may vary.

*The UGR of Cylinder series is under 19.

Dimensions

• Pendant Lighting



Illuminance and Beam Angles

• Pendant Lighting

Part Number	Beam Angle	CCT(Typ.)	Lux* @ 1m (Typ.)	Lm (Typ.)
HEPD00-12157xxx	18°	5700K	10000	1200
HEPD00-12140xxx		4000K	10000	1200
HEPD00-12130xxx		3000K	10000	1200
HEPD00-12257xxx	25°	5700K	4300	1200
HEPD00-12240xxx		4000K	4300	1200
HEPD00-12230xxx		3000K	4300	1200
HEPD00-12457xxx	45°	5700K	1400	1200
HEPD00-12440xxx		4000K	1400	1200
HEPD00-12430xxx		3000K	1400	1200

*This product is assembled with an LED of 3 SDCM for 3000K, 4000K and 5700K

*LED is a dynamic and constantly evolving technology. The final lumen output of your 12W HE Cylinder Series may vary.

*The UGR of Cylinder series is under 19.

Nomenclature

The following table describes the available colors, and angles.

• Pendant Lighting

HEPD00 - 12157P13

X1

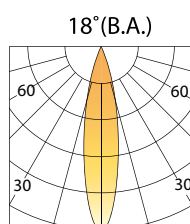
X2 X3 X4 X5 X6 X7

X1 Product name	X2 Wattage	X3 Beam Angle	X4 Color
HE Pendant Light	12 = 12W	1 = 18°	30 = 3000K
		2 = 25°	40 = 4000K
		4 = 45°	57 = 5700K
X5 Cover+Heat sink	X6 Remark	X7 Type	
P = Purple R = Red T = Orange Y = Yellow	U = Blue G = Green 5 = Black+Black 6 = Black+Silver W = Black+White	1=Standard	3= Fixed Round

Light Patterns

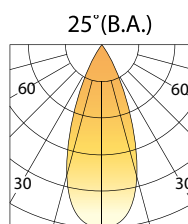
The diagrams present the light patterns with respect to different angles.

• Pendant Lighting



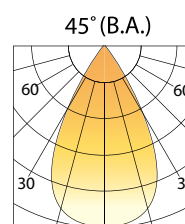
Lux (Typ.)

m	18°	CW	NW	WW
1		10000	10000	10000
2		2500	2500	2500
3		1111	1111	1111



Lux (Typ.)

m	25°	CW	NW	WW
1		4300	4300	4300
2		1075	1075	1075
3		478	478	478



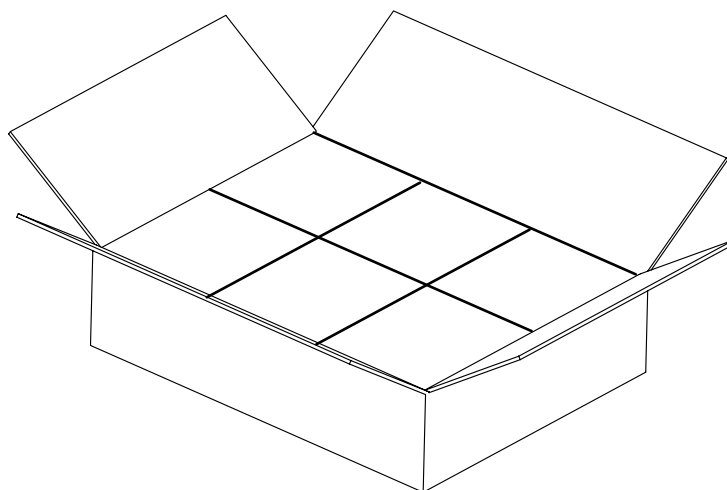
Lux (Typ.)

m	45°	CW	NW	WW
1		1400	1400	1400
2		350	350	350
3		156	156	156

Package Information(Standard)

Pendant lighting

Note : Interior Box Dimensions : 325mm(length)*170mm(width)*150mm(height)
 Exterior Box Dimensions : 675mm(length)*545mm(width)*210mm(height)



6pcs/Carton